



HYDRAULIC ROCK BREAKER

V32



CUTTING-EDGE
TECHNOLOGY
RUTHLESS FOR ROCKS

DESIGNED FOR 18 TO
30 TONNES CARRIERS

AUTOMATIC ENERGY PER
BLOW ADJUSTMENT

AUTONOMOUS WORKING
PRESSURE CONTROL

BENEFITS

- Hydraulic accumulator:
no more regular nitrogen controls
and recharges on jobsites.
- Made in France: superior quality steel
and manufacturing excellence.
- Operator friendly: blank firing protection,
automatic lubrication, energy recovery
system, easy maintenance.
- Carrier friendly: anti-vibration
dampeners, pressure spikes removal.

HYDRAULIC ROCK BREAKER

CUTTING-EDGE TECHNOLOGY RUTHLESS FOR ROCKS

WEIGHT & DIMENSIONS

WEIGHT (KG/LB)

BREAKER	1,205	2,657
+ MOUNTED TOOL	1,320	2,91
+ MOUNTED ADAPTER PLATE (MAX)	1,665	3,671

DIMENSIONS (MM/IN)

A	1,845	72.6
B	431	16.9
C	460	18.11
D	360	14.17
E	60	2.36
F	6	0.23

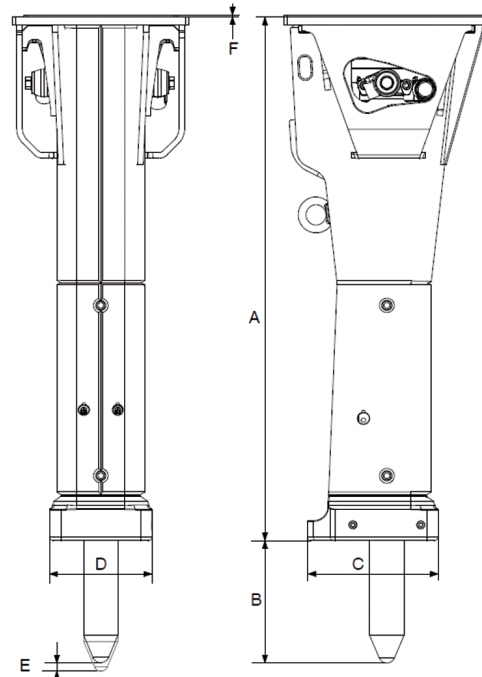
OPERATING INFORMATION

CARRIER WEIGHT RANGE (MIN-MAX, MT)	18-30
OIL FLOW (MIN-MAX, L/MIN / GPM)	120-170 31.7-45
MAXIMUM OPERATING PRESSURE (BAR/PSI)	135 1,958
MAXIMUM BACK PRESSURE (BAR/PSI)	6 87
INPUT POWER (KW)	38.3
STRIKING FREQUENCY (BPM)	285-1,050
NOISE LEVEL /10M (DBA)	94
AUTOMATIC LUBRICATION	standard
SOUNDPROOFING	standard
PRESSURIZATION	preinstalled

OPTIONS

CPN

PRESSURIZATION KIT	86372505
ANTISEISMIC	upon request
ADAPTER PLATE	upon request
SPECIAL PAINTING	upon request



CONSUMABLES

CPN

GREASE CARTRIDGES (X20)	86784758
ABL2 GREASE BUCKET (24 KG)	86772969
ABLF GREASE BUCKET (24 KG)	86772977

MAINTENANCE KITS

CPN

LEVEL 1	86599438
LEVEL 2	86600541
LEVEL 2+	86599446

TOOLS

DIAMETER (MM/IN)	122/5	122/5	122/5	122/5	122/5	122/5
LENGTH (MM/IN)	1100/43.30	1300/51.18	1100/43.30	1300/51.18	1100/43.30	1300/51.18
WEIGHT (KG/LB)	94/207	109/240	91/201	110/243	96/212	115/254
CPN	86420783	86449360	86420791	86382082	86421955	86811452



The content of this brochure constitutes non-binding information and may be changed at any time without notice. Montabert gives, and the brochure contains, no warranties whatsoever, express or implied. All the contents, including but not limited to text, images, graphics are all subject to copyright and all intellectual property protection. Their use or misuse is strictly prohibited. Montabert, KMC or Komatsu trademarks used herein are the property of their respective companies. Nothing contained on this document shall be construed as constituting any commitment by Montabert or as granting any license or right to use any intellectual property. ©2019 Montabert. All rights reserved.

montabert.com

